






















# Steel chains

<b>812/815</b>  Pag 8/9	<b>812 GT/815 GT</b>  Pag 10	<b>815 TAB GT</b>  Pag 11	<b>815 MINI</b>  Pag 12	<b>815 MINI GT</b>  Pag 12	<b>802/805</b>  Pag 13
<b>802 GT/805 GT</b>  Pag 14	<b>8157</b>  Pag 15	<b>8157 GT</b>  Pag 15	<b>512</b>  Pag 16	<b>881 M</b>  Pag 17/18	<b>881 M GT</b>  Pag 19
<b>881 TAB</b>  Pag 20	<b>881 B</b>  Pag 21	<b>8811 TAB</b>  Pag 22	<b>8811 R TAB</b>  Pag 23	<b>8811 TAB GT</b>  Pag 23	<b>8811 B</b>  Pag 24
<b>8857 M</b>  Pag 25	<b>8857 M GT</b>  Pag 25	<b>1874 TAB</b>  Pag 26			

Material Info:

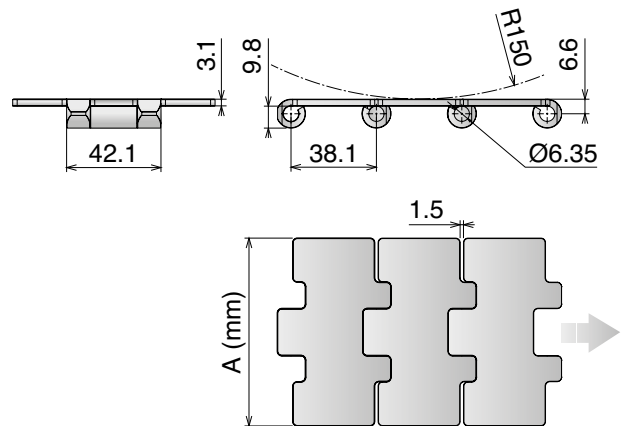


pg. 662>665

## 815 Catena rettilinea Straight running chain / Geradegängige Scharnierbandkette

Delivery: **Easy** **Standard**

Pins: Martensitic 1.4057 | Backflex radius min.: 150 mm

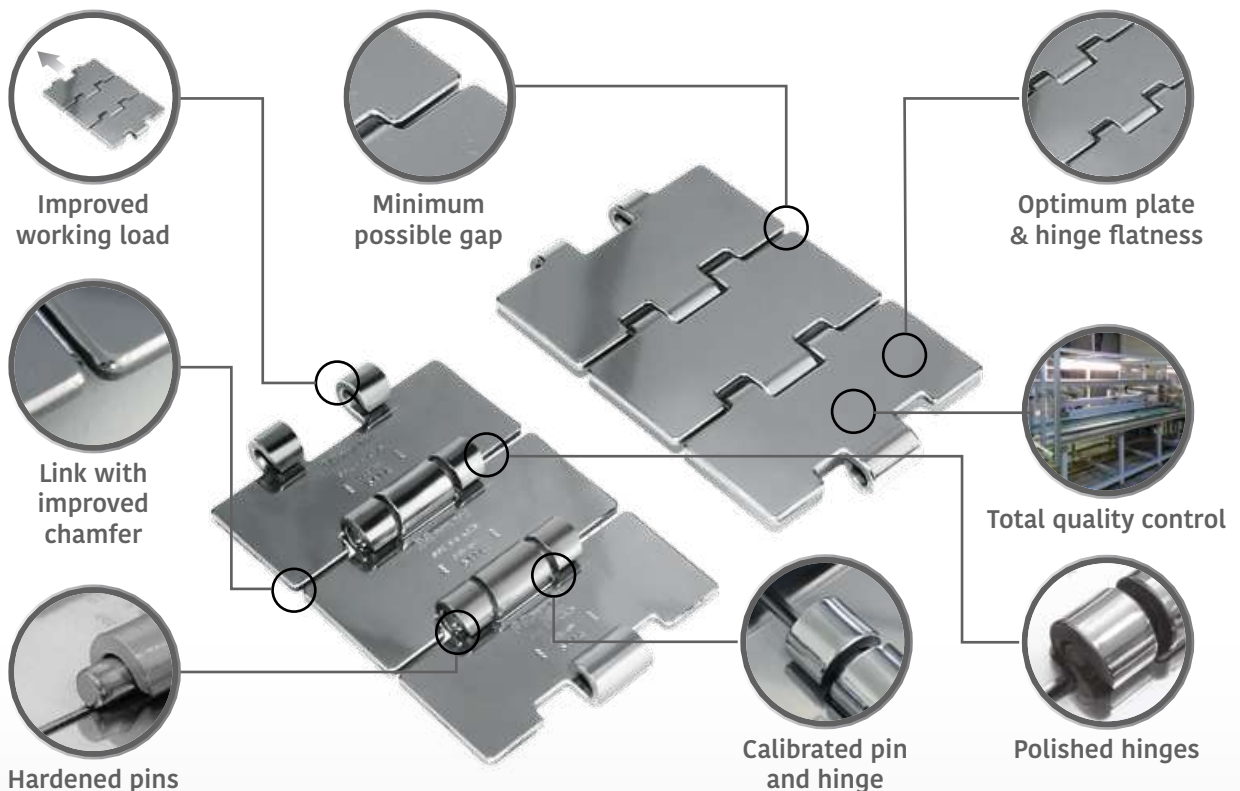


Article-Nr.	Ref.	A (Plate Width) mm	Weight kg/m	Surface finish µm	Surface Flatness mm	Polished Hinge eyes	Max working load (N)	Plate Thickness mm
-------------	------	--------------------	-------------	-------------------	---------------------	---------------------	----------------------	--------------------

### SSM Max Speed - Hardened pins

10010302	SSM 815 K325	82,5	2,55	0,2	0,08	YES	6000	3,1
10010303	SSM 815 K330	83,8	2,59	0,2	0,08	YES		

## Max Speed High Performance

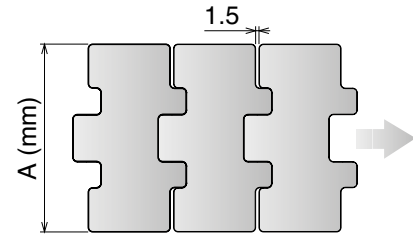
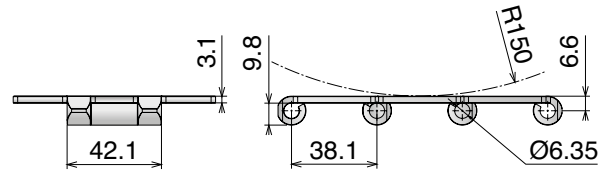
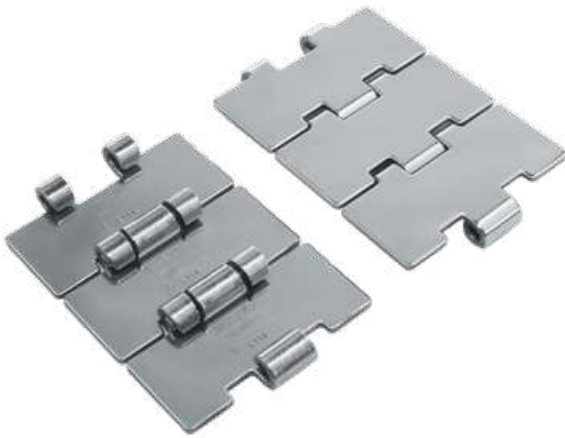


# 812/815

Catena rettilinea  
Straight running chain / Geradegängige Scharnierbandkette

Delivery: **Easy** **Standard**

Pins: Martensitic 1.4057 | Backflex radius min.: 150 mm



Article-Nr.	Ref.	A (Plate Width) mm	Weight kg/m	Surface finish µm	Surface Flatness mm	Polished Hinge eyes	Max working load (N)	Plate Thickness mm
-------------	------	--------------------	-------------	-------------------	---------------------	---------------------	----------------------	--------------------

### SS Ferritic Stainless Steel (1.4016)

10010216	SS 812 K300	76,2	2,50	0,5	0,15	NO	5400	3,1
10010202	SS 812 K325	82,5	2,55	0,5	0,15	NO		
10010203	SS 812 K330	83,8	2,59	0,5	0,15	NO		
10010204	SS 812 K350	88,9	2,69	0,5	0,15	NO		
10010214	SS 812 K400	101,6	3,00	0,5	0,15	NO		
10010205	SS 812 K450	114,3	3,25	0,5	0,20	NO		
10010206	SS 812 K600	152,4	4,15	0,5	0,30	NO		
10010207	SS 812 K750	190,5	5,05	0,5	0,30	NO		

### SSE Specially treated Ferritic Stainless Steel (1.4589) - Hardened pins

10010102	SSE 815 K325	82,5	2,55	0,3	0,10	YES	6000	3,1
10010103	SSE 815 K330	83,8	2,59	0,3	0,10	YES		
10010104	SSE 815 K350	88,9	2,69	0,3	0,15	NO		
10010114	SSE 815 K400	101,6	3,00	0,3	0,15	NO		
10010105	SSE 815 K450	114,3	3,25	0,3	0,20	NO		
10010106	SSE 815 K600	152,4	4,15	0,3	0,30	NO		
10010107	SSE 815 K750	190,5	5,05	0,3	0,30	NO		

### SSA Austenitic Stainless Steel (AISI 304) - Austenitic pin

10010402	SSA 815 K325	82,5	2,55	0,5	0,15	NO	5300	3,1
10010403	SSA 815 K330	83,8	2,59	0,5	0,15	NO		
10010404	SSA 815 K350	88,9	2,69	0,5	0,15	NO		
10010405	SSA 815 K450	114,3	3,25	0,5	0,20	NO		
10010406	SSA 815 K600	152,4	4,15	0,5	0,30	NO		
10010407	SSA 815 K750	190,5	5,05	0,5	0,30	NO		

# 812 GT/815 GT

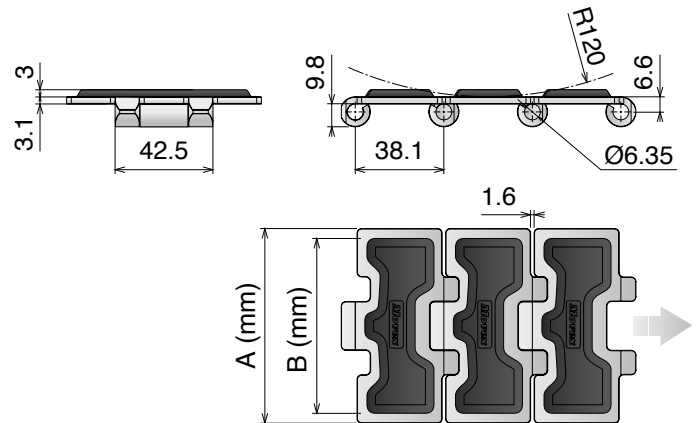
Catene in acciaio / Steel chains / Scharnierbandketten aus Edelstahl

## 812 GT/815 GT

Catena rettilinea  
Straight running chain / Geradegängige Scharnierbandkette

Delivery: **Easy** **Standard**

Pins: Martensitic 1.4057 | Backflex radius min.: 120 mm



Article-Nr.	Ref.	A (Plate Width) mm	B (Rubber Width) mm	Weight kg/m	Max working load (N)	Plate/Rubber Thickness mm
-------------	------	--------------------	---------------------	-------------	----------------------	---------------------------

### SS Ferritic Stainless Steel (1.4016)

<b>10020202</b>	<b>SS 812 GT K325</b>	82,5	75	2,80	5400	Plate 3,1 Rubber 3
-----------------	-----------------------	------	----	------	------	--------------------

### SSE Specially treated Ferritic Stainless Steel (1.4589) - Hardened pins

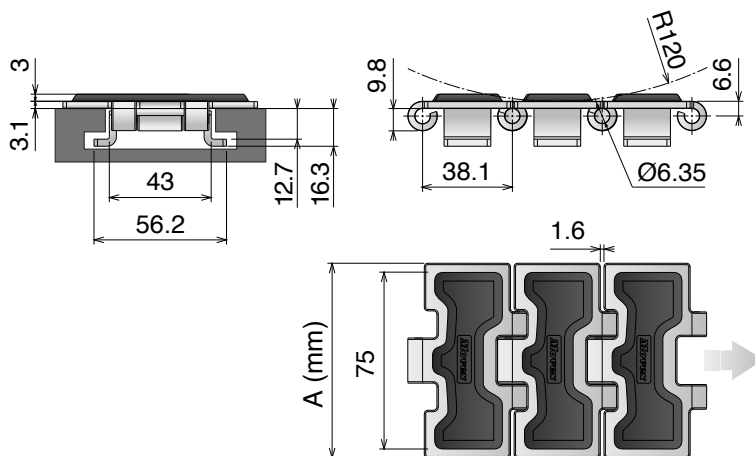
<b>10020102</b>	<b>SSE 815 GT K325</b>	82,5	75	2,80	6000	Plate 3,1 Rubber 3
<b>10020105</b>	<b>SSE 815 GT K450</b>	114,3	107	3,55		
<b>10020107</b>	<b>SSE 815 GT K750</b>	190,5	140	5,55		

## 815 TAB GT

Catena rettilinea  
Straight running chain / Geradegängige Schmierbandkette

Delivery: **Easy** **Standard**

Pins: Martensitic 1.4057 | Backflex radius min.: 120 mm



**TAB SYSTEM**

10 feet  
3.048 m

80 links

78-79-93/108

pg. 662>665

Article-Nr.	Ref.	A (Plate Width) mm	Weight kg/m	Max working load (N)	Plate/Rubber Thickness mm
-------------	------	--------------------	-------------	----------------------	---------------------------

**SSE Specially treated Ferritic Stainless Steel (1.4589) - Hardened pins**

10200102	SSE 815 TAB GT K325	82,5	3,40	6000	Plate 3,1 Rubber 3
----------	---------------------	------	------	------	--------------------

# 815 MINI-815 MINI GT

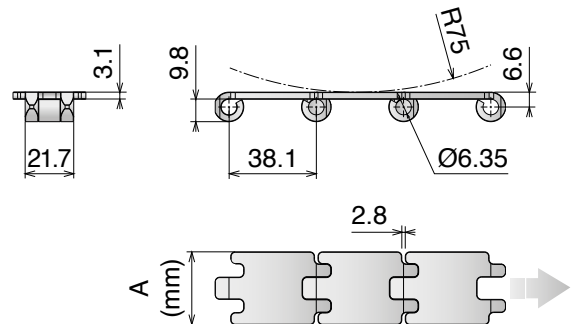
Catene in acciaio / Steel chains / Scharnierbandketten aus Edelstahl

## 815 MINI

Catena rettilinea  
Straight running chain / Geradegängige Scharnierbandkette

Delivery: **Easy** **Standard**

Pins: Martensitic 1.4057 | Backflex radius min.: 75 mm



Article-Nr.	Ref.	A (Plate Width) mm	Weight kg/m	Max working load (N)	Plate Thickness mm
-------------	------	--------------------	-------------	----------------------	--------------------

**SSE Specially treated Ferritic Stainless Steel (1.4589) - Hardened pins**

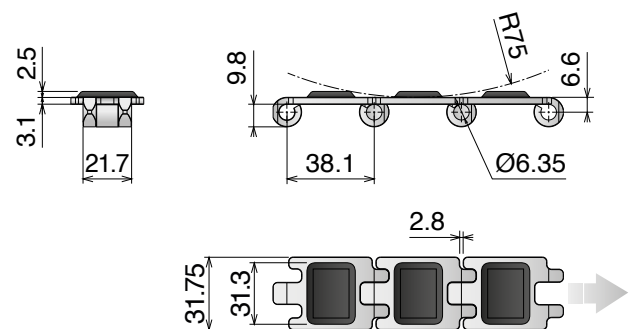
10210117	SSE 815 K125	31,75	1,07	3000	3,1
10210118	SSE 815 K175	44,45	1,35		

## 815 MINI GT

Catena rettilinea  
Straight running chain / Geradegängige Scharnierbandkette

Delivery: **Easy** **Standard**

Pins: Martensitic 1.4057 | Backflex radius min.: 75 mm



Article-Nr.	Ref.	A (Plate Width) mm	B (Rubber Width) mm	Weight kg/m	Max working load (N)	Plate/Rubber Thickness mm
-------------	------	--------------------	---------------------	-------------	----------------------	---------------------------

**SSE Specially treated Ferritic Stainless Steel (1.4589) - Hardened pins**

10230117	SSE 815 GT K125	31,75	31,3	1,20	4000	Plate 3,1 Rubber 2,5
----------	-----------------	-------	------	------	------	----------------------

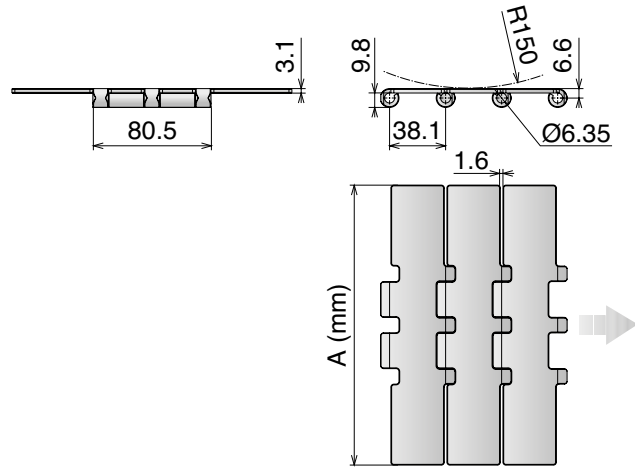
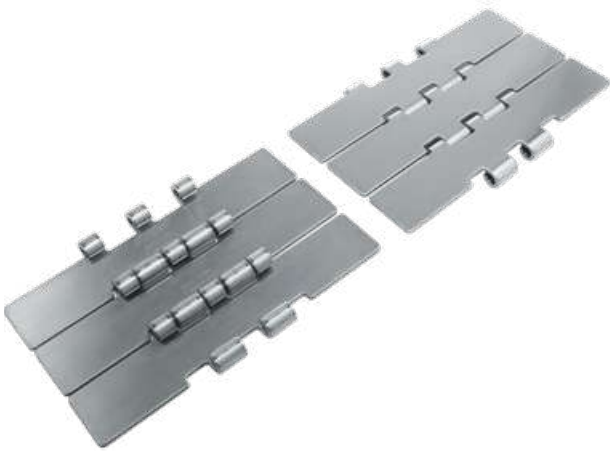


## 802/805

Catena rettilinea  
Straight running chain / Geradegängige Scharnierbandkette

Delivery: **Easy** **Standard**

Pins: Martensitic 1.4057 | Backflex radius min.: 150 mm



Article-Nr.	Ref.	A (Plate Width) mm	Weight kg/m	Surface finish $\mu\text{m}$	Max working load (N)	Plate Thickness mm
<b>SS Ferritic Stainless Steel (1.4016)</b>						
10030207	SS 802 K750	190,5	5,80	0,6	7000	3,1
<b>SSE Specially treated Ferritic Stainless Steel (1.4589) - Hardened pins</b>						
10030107	SSE 805 K750	190,5	5,80	0,3	9000	3,1
<b>SSA Austenitic Stainless Steel (AISI 304) - Austenitic pin</b>						
10030407	SSA 805 K750	190,5	5,80	0,6	8700	3,1

# 802 GT/805 GT

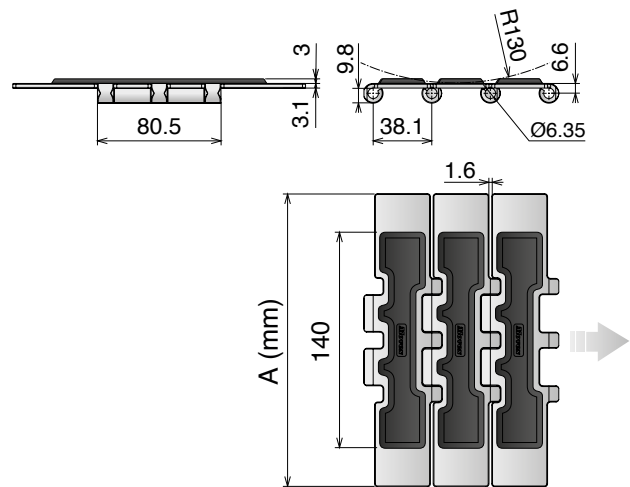
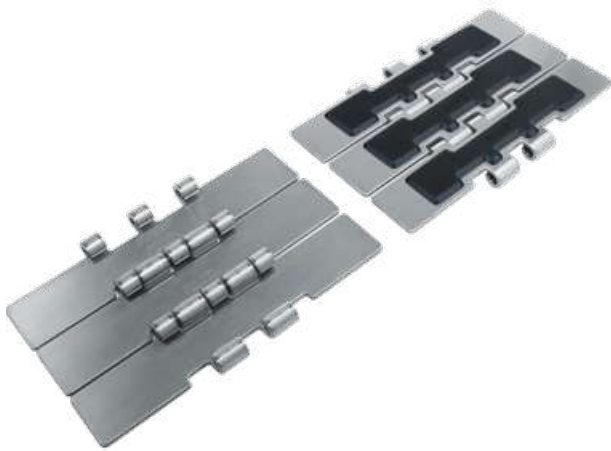
Catene in acciaio / Steel chains / Scharnierbandketten aus Edelstahl

## 802 GT/805 GT

Catena rettilinea  
Straight running chain / Geradegängige Scharnierbandkette

Delivery: **Easy** **Standard**

Pins: Martensitic 1.4057 | Backflex radius min.: 130 mm



10 feet 3.048 m  
 80 links  
 pg. 82-94/109  
 pg. 662>665

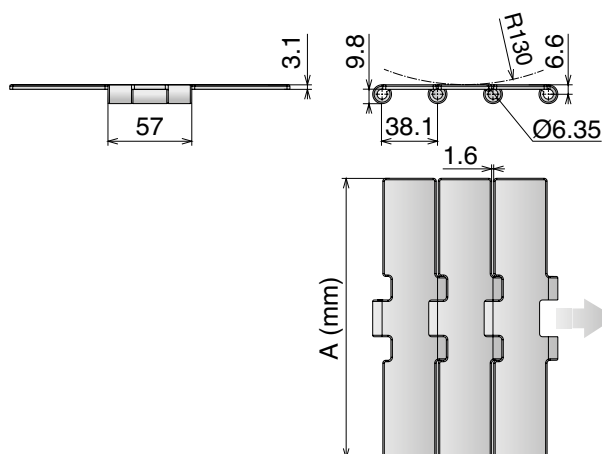
Article-Nr.	Ref.	A (Plate Width) mm	Weight kg/m	Max working load (N)	Plate/Rubber Thickness mm
<b>SS Ferritic Stainless Steel (1.4016)</b>					
<b>10040207</b>	<b>SS 802 GT K750</b>	190,5	6,20	7000	Plate 3,1 Rubber 3
<b>SSE Specially treated Ferritic Stainless Steel (1.4589) - Hardened pins</b>					
<b>10040107</b>	<b>SSE 805 GT K750</b>	190,5	6,20	9000	Plate 3,1 Rubber 3



## 8157 Catena rettilinea Straight running chain / Geradegängige Scharnierbandkette

Delivery: **Easy** **Standard**

Pins: Martensitic 1.4057 | Backflex radius min.: 130 mm



10 feet / 3.048 m  
80 links

pg. 83-93/110

pg. 662->665

Article-Nr.	Ref.	A (Plate Width) mm	Weight kg/m	Surface finish µm	Max working load (N)	Plate Thickness mm
-------------	------	--------------------	-------------	-------------------	----------------------	--------------------

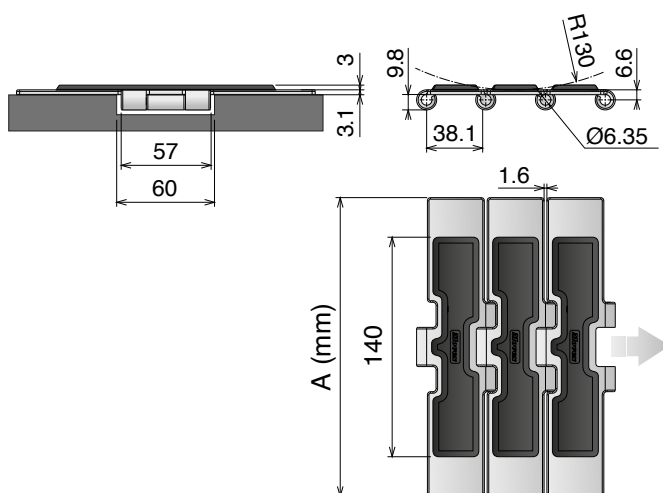
**SSE Specially treated Ferritic Stainless Steel (1.4589) - Hardened pins**

<b>10050107</b>	<b>SSE 8157 K750</b>	190,5	5,60	0,3	7000	3,1
-----------------	----------------------	-------	------	-----	------	-----

## 8157 GT Catena rettilinea Straight running chain / Geradegängige Scharnierbandkette

Delivery: **Easy** **Standard**

Pins: Martensitic 1.4057 | Backflex radius min.: 130 mm



10 feet / 3.048 m  
80 links

pg. 83-93/110

pg. 662->665

Article-Nr.	Ref.	A (Plate Width) mm	Weight kg/m	Max working load (N)	Plate/Rubber Thickness mm
-------------	------	--------------------	-------------	----------------------	---------------------------

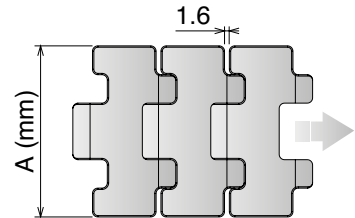
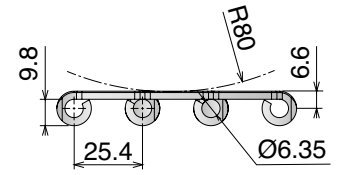
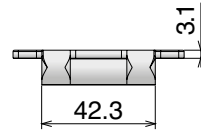
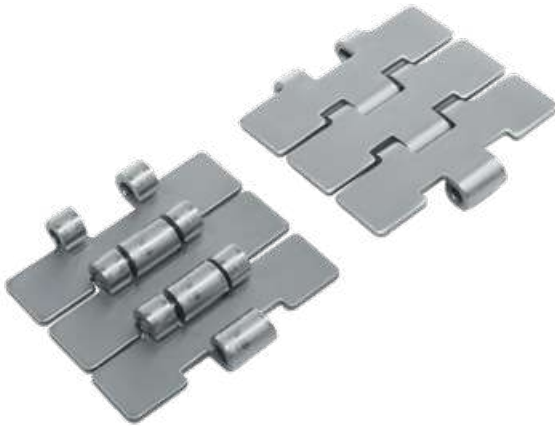
**SSE Specially treated Ferritic Stainless Steel (1.4589) - Hardened pins**

<b>10060107</b>	<b>SSE 8157 GT K750</b>	190,5	6,00	10000	Plate 3,1 Rubber 3
-----------------	-------------------------	-------	------	-------	--------------------

## 512 Catena rettilinea Straight running chain / Geradegängige Scharnierbandkette

Delivery: **Easy** **Standard**

Pins: Martensitic 1.4057 | Backflex radius min.: 80 mm



10 feet / 3.048 m  
120 links

pg. 92-95

pg. 662>665

Article-Nr.	Ref.	A (Plate Width) mm	Weight kg/m	Surface finish µm	Max working load (N)	Plate Thickness mm
-------------	------	--------------------	-------------	-------------------	----------------------	--------------------

### SSE Specially treated Ferritic Stainless Steel (1.4589) - Hardened pins

10070100	SSE 512 K217	55,1	2,30	0,3	5000	3,1
10070101	SSE 512 K236	59,9	2,40	0,3		
10070108	SSE 512 K250	63,5	2,45	0,3		
10070109	SSE 512 K283	71,9	2,65	0,3		
10070102	SSE 512 K325	82,5	2,90	0,3		
10070104	SSE 512 K350	88,9	3,00	0,3		
10070114	SSE 512 K400	101,6	3,30	0,3		

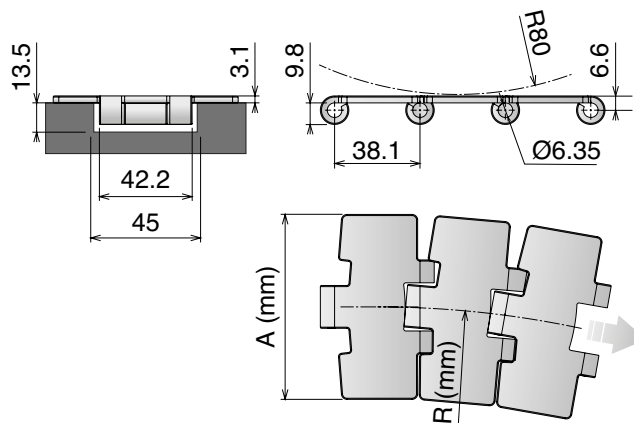
### SSA Austenitic Stainless Steel (AISI 304) - Austenitic pin

10070400	SSA 512 K217	55,1	2,30	0,3	4500	3,1
10070401	SSA 512 K236	59,9	2,40	0,3		
10070408	SSA 512 K250	63,5	2,45	0,3		
10070409	SSA 512 K283	71,9	2,65	0,3		
10070414	SSA 512 K400	101,6	3,30	0,3		

## 881 M Catena curvilinea Sideflexing chain / Kurvengängige Scharnierbandkette

Delivery: **Easy** **Standard**

Pins: Martensitic 1.4057 | Backflex radius min.: 80 mm



### MAGNETIC SYSTEM



80 links



pg. 78->81-93/108-110



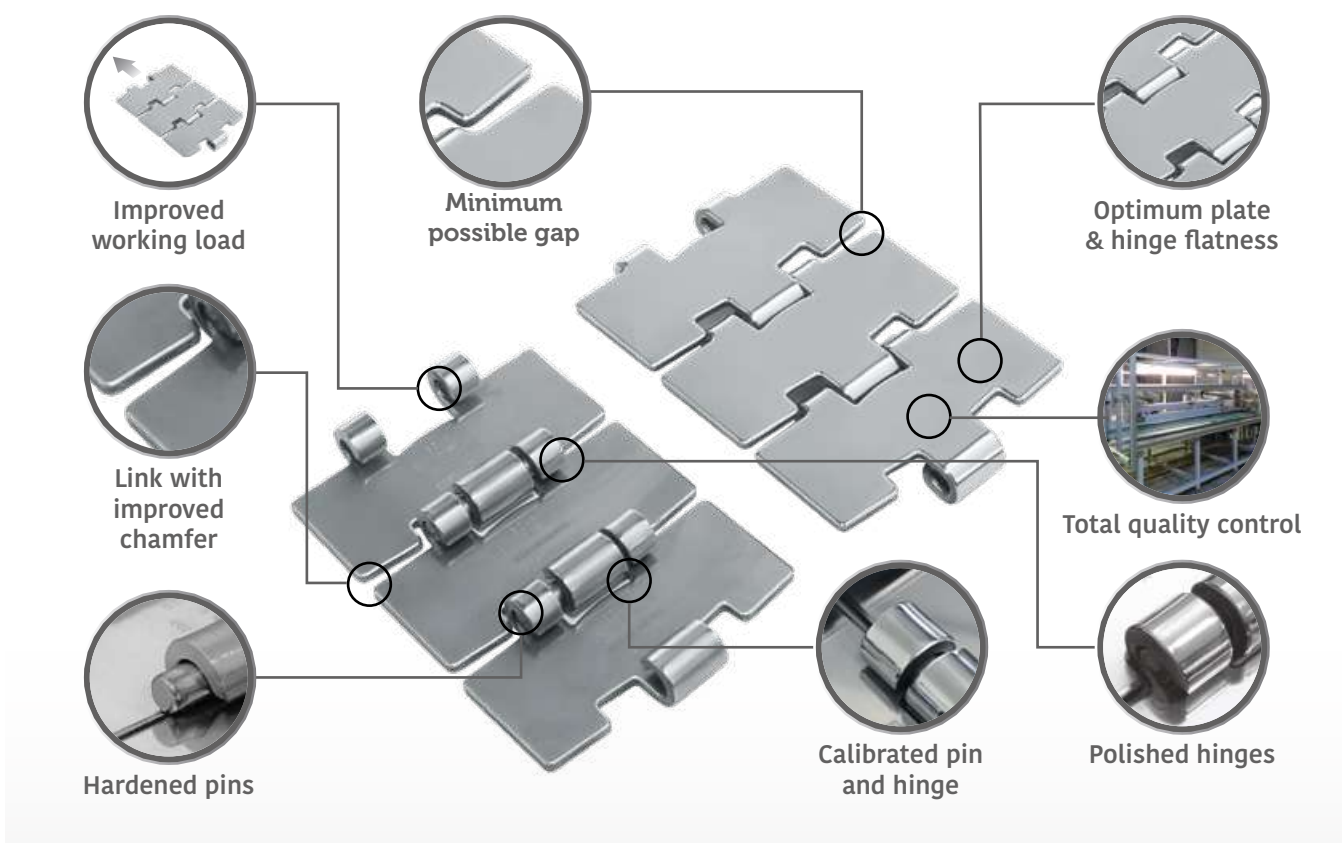
pg. 115->130



pg. 662->665

Article-Nr.	Ref.	A (Plate Width) mm	R mm	Weight kg/m	Surface finish µm	Surface Flatness mm	Polished Hinge eyes	Max working load (N)	Plate Thickness mm
<b>SSM Max Speed - Hardened pins</b>									
10080302	SSM 881 M0 K325	82,5	500	2,55	0,2	0,08	YES	6000	3,1
10080303	SSM 881 M0 K330	83,8	500	2,59	0,2	0,08	YES		

## Max Speed High Performance

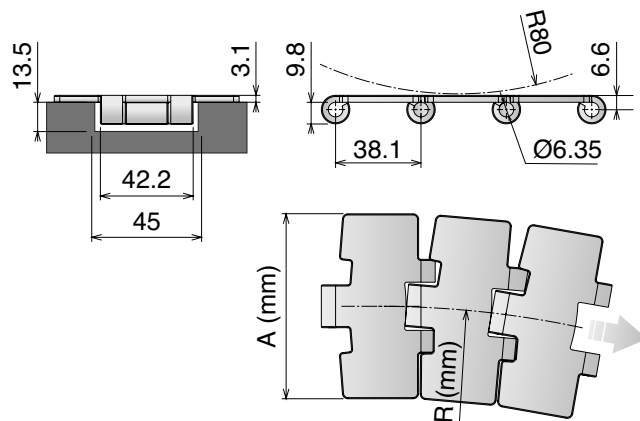


## 881 M

Catena curvilinea  
Sideflexing chain / Kurvengängige Scharnierbandkette

Delivery: **Easy** **Standard**

Pins: Martensitic 1.4057 | Backflex radius min.: 80 mm



**MAGNETIC SYSTEM**



80 links



pg. 78->81-93/108-110



pg. 115->130



pg. 662->665

Article-Nr.	Ref.	A (Plate Width) mm	R mm	Weight kg/m	Surface finish $\mu\text{m}$	Surface Flatness mm	Polished Hinge eyes	Max working load (N)	Plate Thickness mm
-------------	------	--------------------	------	-------------	------------------------------	---------------------	---------------------	----------------------	--------------------

### SS Ferritic Stainless Steel (1.4016)

10080202	SS 881 MO K325	82,5	500	2,55	0,5	0,15	YES	5400	3,1
10080203	SS 881 MO K330	83,8	500	2,59	0,5	0,15	YES		
10080205	SS 881 MO K450	114,3	500	3,10	0,5	0,20	YES		
10080207	SS 881 MO K750	190,5	500	4,85	0,5	0,30	YES		

### SSE Specially treated Ferritic Stainless Steel (1.4589) - Hardened pins

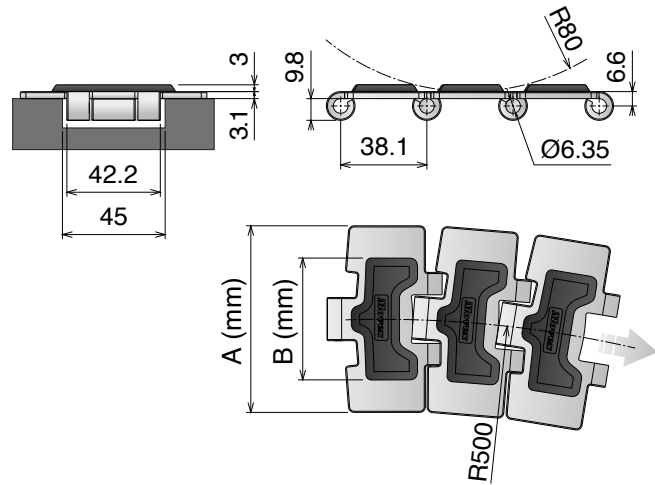
10080102	SSE 881 MO K325	82,5	500	2,55	0,3	0,10	YES	6000	3,1
10080103	SSE 881 MO K330	83,8	500	2,59	0,3	0,10	YES		
10080105	SSE 881 MO K450	114,3	500	3,10	0,3	0,20	YES		
10080107	SSE 881 MO K750	190,5	500	4,85	0,3	0,30	YES		

## 881 M GT

Catena curvilinea  
Sideflexing chain / Kurvengängige Scharnierbandkette

Delivery: **Easy** **Standard**

Pins: Martensitic 1.4057 | Backflex radius min.: 80 mm



**MAGNETIC SYSTEM**

10 feet  
3.048 m  
80 links

pg. 78->81-93/108-110

pg. 115->130

pg. 662->665

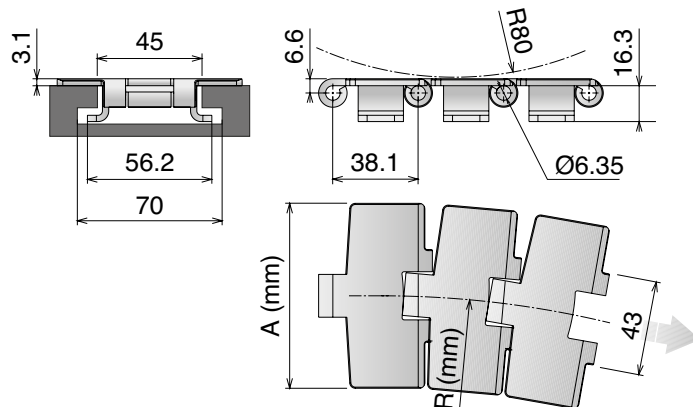
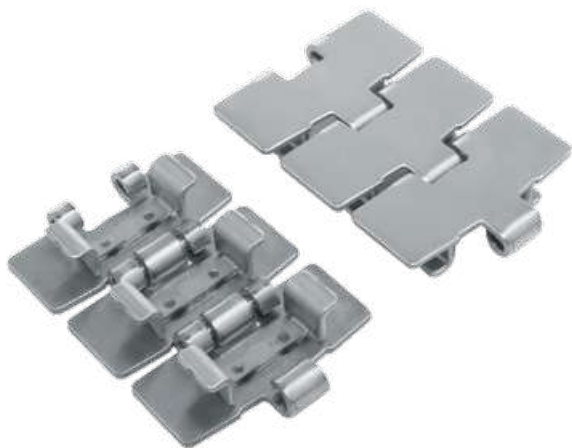
Article-Nr.	Ref.	A (Plate Width) mm	B (Plate Width) mm	Weight kg/m	Max working load (N)	Plate/Rubber Thickness mm
<b>SSE Specially treated Ferritic Stainless Steel (1.4589) - Hardened pins</b>						
10090102	SSE 881 M GT K325	82,5	57	2,80	6000	Plate 3,1 Rubber 3
10090107	SSE 881 M GT K750	190,5	140	5,00		

## 881 TAB

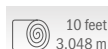
Catena curvilinea  
Sideflexing chain / Kurvengängige Scharnierbandkette

Delivery: **Easy** **Standard**

Pins: Martensitic 1.4057 | Backflex radius min.: 80 mm



### TAB SYSTEM



10 feet  
3.048 m



80 links



pg. 80-81/110



pg. 163/175



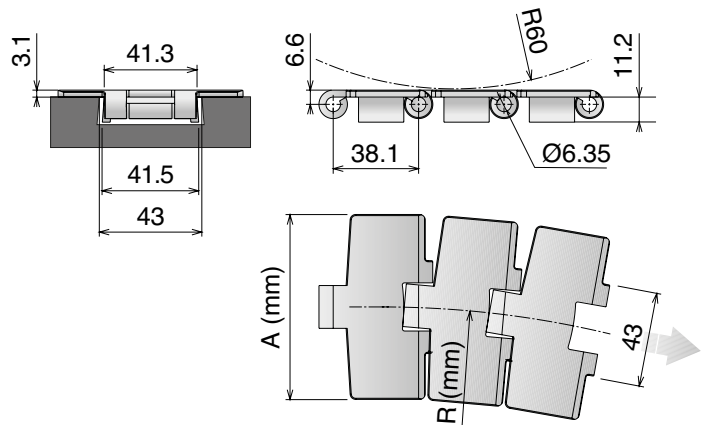
pg. 662-665

Article-Nr.	Ref.	A (Plate Width) mm	R mm	Weight kg/m	Surface finish µm	Max working load (N)	Plate Thickness mm
<b>SS Ferritic Stainless Steel (1.4016)</b>							
10100202	SS 881 TAB K325	82,5	457	3,00	0,3	5400	3,1
<b>SSE Specially treated Ferritic Stainless Steel (1.4589) - Hardened pins</b>							
10100102	SSE 881 TAB K325	82,5	457	3,00	0,3	6000	3,1
10100105	SSE 881 TAB K450	114,3	500	3,69	0,3		
10100107	SSE 881 TAB K750	190,5	500	5,50	0,3		
<b>SSA Austenitic Stainless Steel (AISI 304) - Austenitic pin</b>							
10100402	SSA 881 TAB K325	82,5	457	3,00	0,3	4500	3,1
10100405	SSA 881 TAB K450	114,3	500	3,69	0,3		
10100407	SSA 881 TAB K750	190,5	500	5,50	0,3		

## 881 B

Catena curvilinea  
Sideflexing chain / Kurvengängige Scharnierbandkette

Pins: Martensitic 1.4057 | Backflex radius min.: 60 mm



### BEVEL SYSTEM



10 feet  
3.048 m



80 links



pg. 80-81/110



pg. 174

pg. 662->665

Article-Nr.	Ref.	A (Plate Width) mm	R mm	Weight kg/m	Surface finish µm	Max working load (N)	Plate Thickness mm
-------------	------	-----------------------	---------	----------------	----------------------	-------------------------	-----------------------

#### SSE Specially treated Ferritic Stainless Steel (1.4589) - Hardened pins

10120102	SSE 881 K325	82,5	457	2,95	0,3	6000	3,1
10120104	SSE 881 K350	88,9	500	3,00	0,3		
10120105	SSE 881 K450	114,3	500	3,65	0,3		
10120107	SSE 881 K750	190,5	500	5,45	0,3		

#### SSA Austenitic Stainless Steel (AISI 304) - Austenitic pin

10120402	SSA 881 K325	82,5	457	2,95	0,3	4500	3,1
10120405	SSA 881 K450	114,3	500	3,65	0,3		
10120407	SSA 881 K750	190,5	500	5,45	0,3		

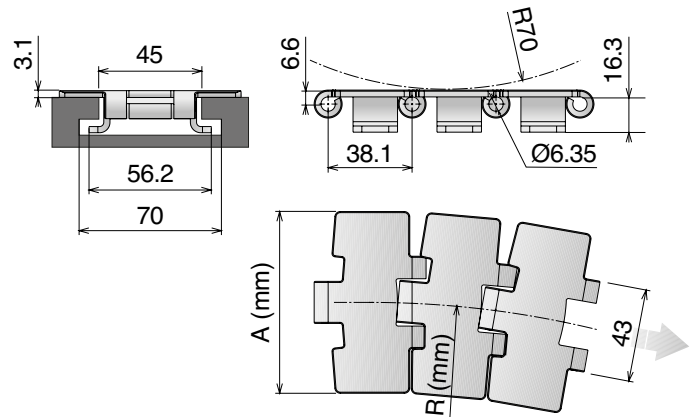


## 8811 TAB

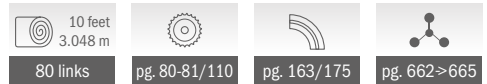
Catena curvilinea  
Sideflexing chain / Kurvengängige Scharnierbandkette

Delivery: **Easy** **Standard**

Pins: Martensitic 1.4057 | Backflex radius min.: 70 mm



### TAB SYSTEM






Article-Nr.	Ref.	A (Plate Width) mm	R mm	Weight kg/m	Surface finish µm	Max working load (N)	Plate Thickness mm
-------------	------	--------------------	------	-------------	-------------------	----------------------	--------------------

#### SS Ferritic Stainless Steel (1.4016)

10140202	SS 8811 TAB K325	82,5	500	2,95	0,3	5400	3,1
10140203	SS 8811 TAB K330	83,8	500	3,05	0,3		
10140205	SS 8811 TAB K450	114,3	610	3,65	0,3		
10140207	SS 8811 TAB K750	190,5	610	5,45	0,3		

#### SSE Specially treated Ferritic Stainless Steel (1.4589) - Hardened pins

	10140102	SSE 8811 TAB K325	82,5	500	2,95	0,3	6000	3,1
	10140103	SSE 8811 TAB K330	83,8	500	3,05	0,3		
	10140104	SSE 8811 TAB K350	88,9	500	3,15	0,3		
	10140105	SSE 8811 TAB K450	114,3	500	3,65	0,3		
	10140107	SSE 8811 TAB K750	190,5	500	5,45	0,3		

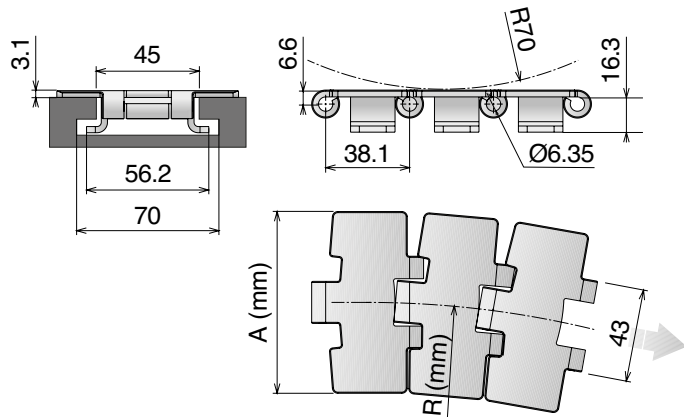
#### SSA Austenitic Stainless Steel (AISI 304) - Austenitic pin

10140402	SSA 8811 TAB K325	82,5	500	2,95	0,3	4500	3,1
10140403	SSA 8811 TAB K330	83,8	500	3,05	0,3		
10140405	SSA 8811 TAB K450	114,3	500	3,65	0,3		
10140407	SSA 8811 TAB K750	190,5	500	5,45	0,3		

## 8811 R TAB

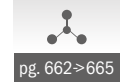
Catena curvilinea  
Sideflexing chain / Kurvengängige Scharnierbandkette

Pins: Martensitic 1.4057 | Backflex radius min.: 80 mm



**TAB SYSTEM**

**SMALL RADIUS**

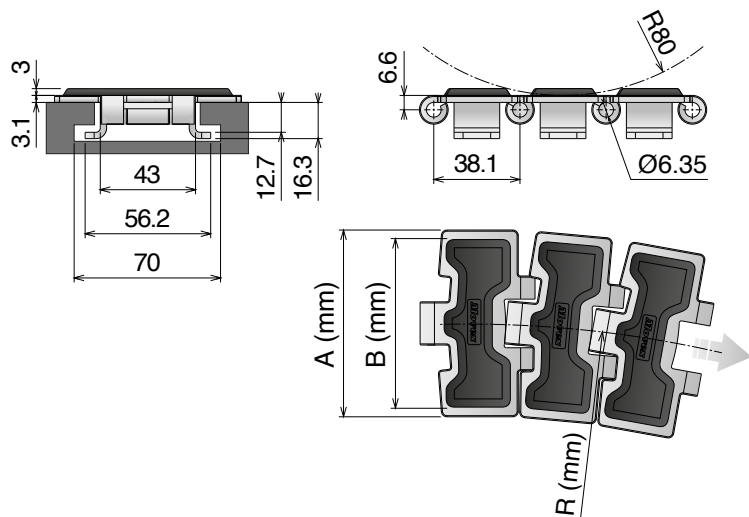


Article-Nr.	Ref.	A (Plate Width) mm	R mm	Weight kg/m	Surface finish µm	Max working load (N)	Plate Thickness mm
<b>SS Ferritic Stainless Steel (1.4016)</b>							
<b>10240202</b>	<b>SS 8811R TAB K325</b>	82,5	200	2,78	0,3	5400	3,1

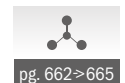
## 8811 TAB GT

Catena curvilinea  
Sideflexing chain / Kurvengängige Scharnierbandkette

Pins: Martensitic 1.4057 | Backflex radius min.: 80 mm



**TAB SYSTEM**



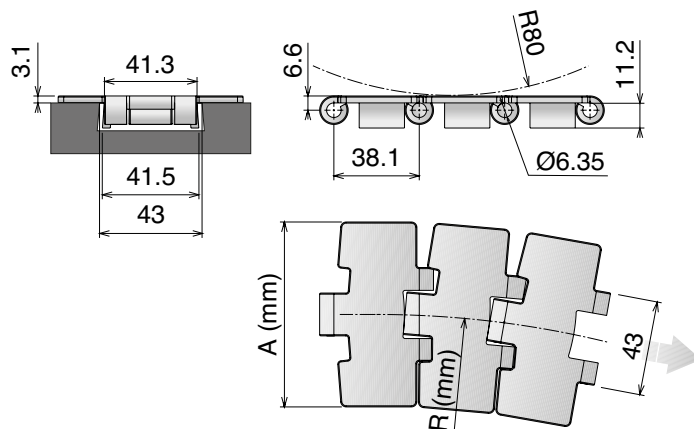
Article-Nr.	Ref.	A (Plate Width) mm	B (Plate Width) mm	R mm	Weight kg/m	Max working load (N)	Plate/Rubber Thickness mm
<b>SSE Specially treated Ferritic Stainless Steel (1.4589) - Hardened pins</b>							
<b>10150102</b>	<b>SSE 8811 TAB GT K325</b>	82,5	75	500	3,20	6000	Plate 3,1
<b>10150107</b>	<b>SSE 8811 TAB GT K750</b>	190,5	140	610	5,70		Rubber 3

## 8811 B

Catena curvilinea  
Sideflexing chain / Kurvengängige Scharnierbandkette

Delivery: **Easy** **Standard**

Pins: Martensitic 1.4057 | Backflex radius min.: 80 mm



### BEVEL SYSTEM



10 feet  
3.048 m



pg. 80-81/110



pg. 174



pg. 662>665

80 links

Article-Nr.	Ref.	A (Plate Width) mm	R mm	Weight kg/m	Surface finish µm	Max working load (N)	Plate Thickness mm
-------------	------	-----------------------	---------	----------------	----------------------	-------------------------	-----------------------

#### SSE Specially treated Ferritic Stainless Steel (1.4589) - Hardened pins

<b>10160102</b>	<b>SSE 8811 K325</b>	82,5	500	2,90	0,3	6000	3,1
<b>10160104</b>	<b>SSE 8811 K350</b>	88,9	500	3,15	0,3		
<b>10160105</b>	<b>SSE 8811 K450</b>	114,3	500	3,60	0,3		
<b>10160107</b>	<b>SSE 8811 K750</b>	190,5	500	5,40	0,3		

#### SSA Austenitic Stainless Steel (AISI 304) - Austenitic pin

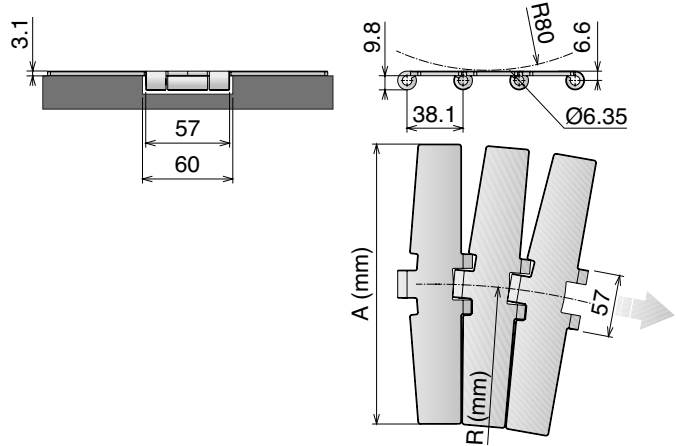
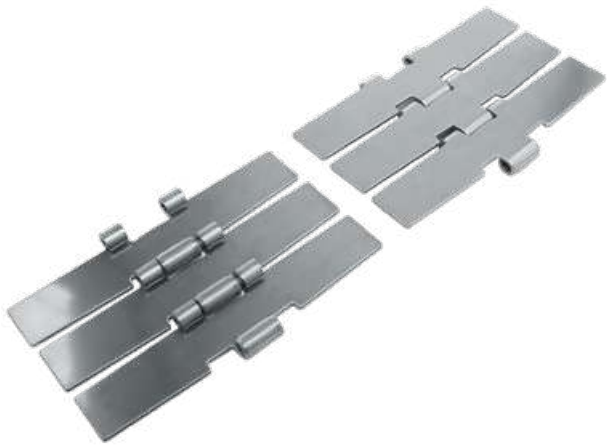
<b>10160402</b>	<b>SSA 8811 K325</b>	82,5	500	2,90	0,3	4500	3,1
<b>10160404</b>	<b>SSA 8811 K350</b>	88,9	500	3,15	0,3		
<b>10160405</b>	<b>SSA 8811 K450</b>	114,3	500	3,60	0,3		
<b>10160407</b>	<b>SSA 8811 K750</b>	190,5	500	5,40	0,3		

## 8857 M

Catena curvilinea  
Sideflexing chain / Kurvengängige Scharnierbandkette

Delivery: **Easy** **Standard**

Pins: Martensitic 1.4057 | Backflex radius min.: 80 mm



**MAGNETIC SYSTEM**



80 links



pg. 83-93/110



pg. 132->134



pg. 662->665

Article-Nr.	Ref.	A (Plate Width) mm	R mm	Weight kg/m	Surface finish µm	Max working load (N)	Plate Thickness mm
-------------	------	--------------------	------	-------------	-------------------	----------------------	--------------------

**SSE Specially treated Ferritic Stainless Steel (1.4589) - Hardened pins**

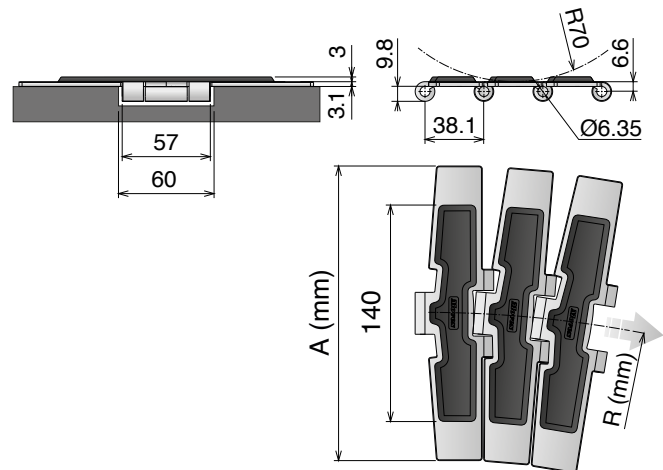
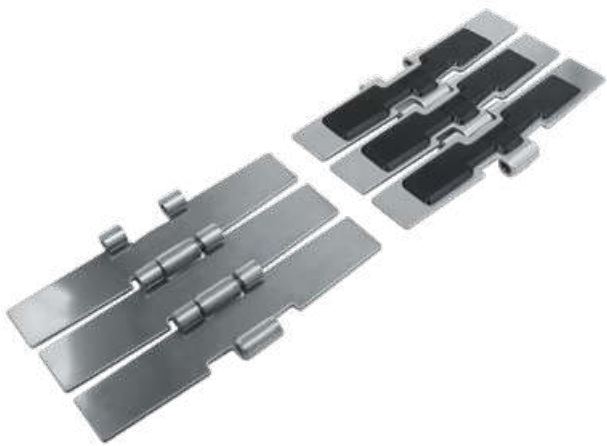
10180107	SSE 8857 M K750	190,5	750	5,30	0,3	7000	3,1
----------	-----------------	-------	-----	------	-----	------	-----

## 8857 M GT

Catena curvilinea  
Sideflexing chain / Kurvengängige Scharnierbandkette

Delivery: **Easy** **Standard**

Pins: Martensitic 1.4057 | Backflex radius min.: 70 mm



**MAGNETIC SYSTEM**



80 links



pg. 83-93/110



pg. 131->136



pg. 662->665

Article-Nr.	Ref.	A (Plate Width) mm	R mm	Weight kg/m	Surface finish µm	Max working load (N)	Plate/Rubber Thickness mm
-------------	------	--------------------	------	-------------	-------------------	----------------------	---------------------------

**SSE Specially treated Ferritic Stainless Steel (1.4589) - Hardened pins**

10190107	SSE 8857 M GT K750	190,5	750	5,70	0,3	10000	Plate 3,1 Rubber 3
----------	--------------------	-------	-----	------	-----	-------	--------------------

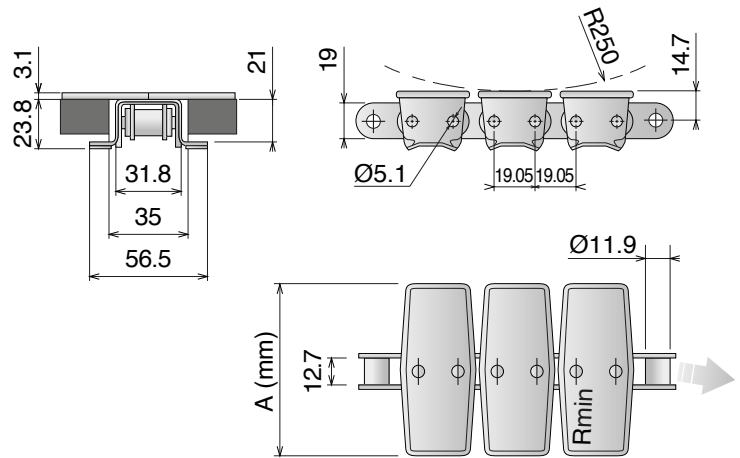
# 1874 TAB

Catene in acciaio / Steel chains / Scharnierbandketten aus Edelstahl

## 1874 TAB Catena curvilinea Sideflexing chain / Kurvengängige Scharnierbandkette

Delivery: **Easy** **Standard**

Backflex radius min.: 250 mm



Standard length roller chain: 160 Pitches

**TAB SYSTEM**

10 feet  
3.048 m  
80 links

**SPROCKET**  
ASA 60  
Standard on  
market

pg. 167/176

pg. 662>665

Article-Nr.	Ref.	A (Plate Width) mm	R mm	Weight kg/m	Surface finish µm	Max working load (N)	Plate Thickness mm
-------------	------	-----------------------	---------	----------------	----------------------	-------------------------	-----------------------

**SSA Austenitic Stainless Steel (AISI 304)**

10220202	SS 1874 TAB K325	82,5	381	4,20	0,5	4500	3,1
10220205	SS 1874 TAB K450	114,3	381	4,80	0,5		
10220206	SS 1874 TAB K600	152,4	457	5,70	0,5		
10220207	SS 1874 TAB K750	190,5	610	6,40	0,5		